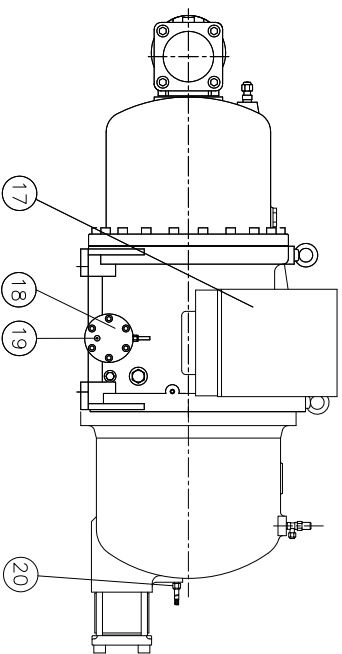
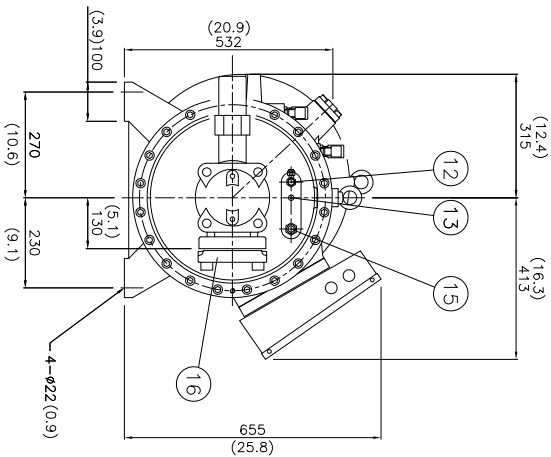
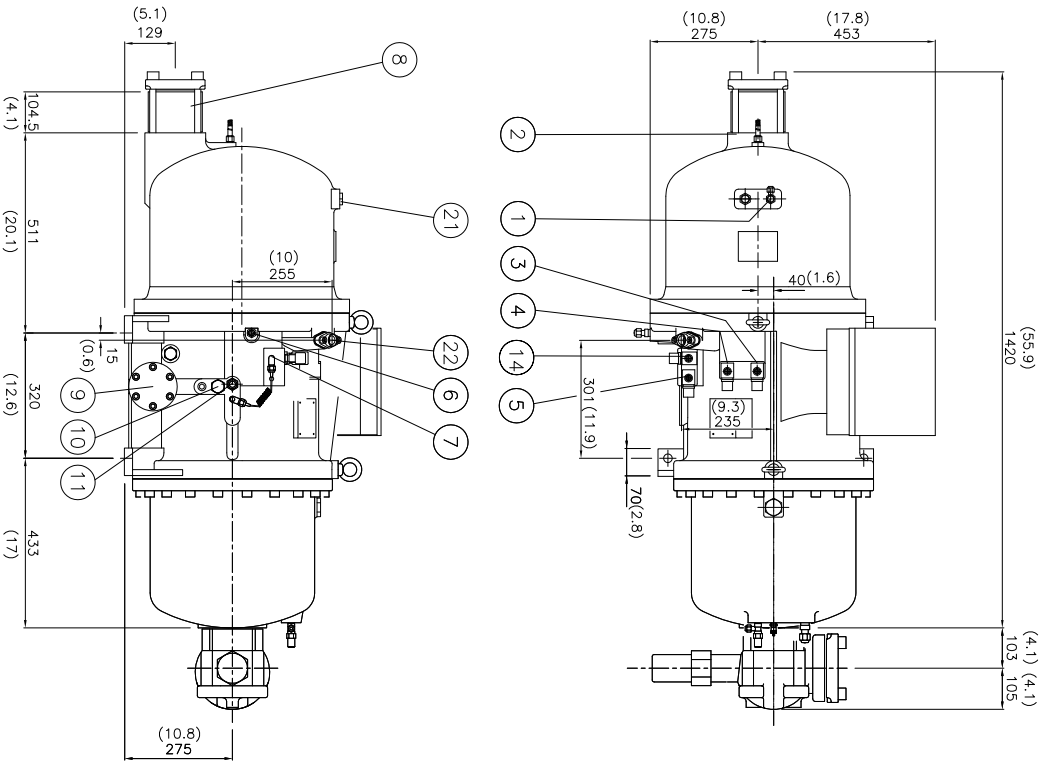


| No. | Name   | Note              | No. | Name                      | Note                       |
|-----|--|-------------------|-----|---------------------------|----------------------------|
| 1   | Angle valve                                    | 1/4"Flare         | 12  | Angle valve               | 1/4"Flare                  |
| 2   | Discharge Flange                               | 3"                | 13  | Refrigerant Service Valve | 1/4"Flare                  |
| 3   | Solenoid valve                                 | 50%(NC)           | 14  | Solenoid valve            | Stepless(NC or NO), option |
| 4   | Solenoid valve                                 | 75%(NC)           | 15  | NOT USED                  |                            |
| 5   | Solenoid valve                                 | 35%(NC)           | 16  | Suction flange            | 5/8"Flare, option          |
| 6   | Liquid(oil or refrigerant) injection connector | 3/8"Flare, option | 17  | Cable box                 | 4"                         |
| 7   | Capillary                                      |                   | 18  | Service flange            | Standard                   |
| 8   | Check valve                                    | 3"                | 19  | Oil drain valve           | option                     |
| 9   | Service flange                                 |                   | 20  | Discharge temp. sensor    | 110°C                      |
| 10  | Stop Pin                                       |                   | 21  | Safety Valve              | 1"NPT,option               |
| 11  | Oil inlet Connector                            | 5/8"Flare         | 22  | Economizer port           | 7/8", solder               |

\*All stop valves are optional



Dimensional Outline Drawing & Component Description  
for Stepless or Modulating – Type Capacity Control Application

|               |              |
|---------------|--------------|
| Hanbell Model | RC2-470BF    |
| Date and Rev. | 08/17/2012 A |
| Drawn By      | M. Schreiber |



Micro Control Systems, Inc.

5580 Enterprise Parkway  
Fort Myers, Florida 33905  
Tel. (239) 694-0089 Fax (239) 694-0031  
E-mail: compressors@mcscontrols.com

Hanbell Precise Machinery Co., Ltd.

